

□ HDM302 User Manual □



HDMI Splitter 1 In / 2 Out

- Full 1080p HD
- IR Extender
- Rich Colours
- HD Audio
- Supports 3D Video

HDM302 User Manual

Introduction

Our ScatterBox branded products are high quality electronics which offer simple and reliable solutions for distributing video signals through your CCTV or entertainment system.

The HDM302 splits a single HDMI input into two HDMI outputs and also features a built in IR extender.

Features

- 1 HDMI Input / 2 HDMI Outputs
- Built In IR Extender
- Supports Full 1080p & 3D Video
- HD Audio
- 5V DC PSU Included
- Quality Metal Build
- Wall-mount Design

Accessories



IR Tx (Transmitter)



IR Rx (Receiver)

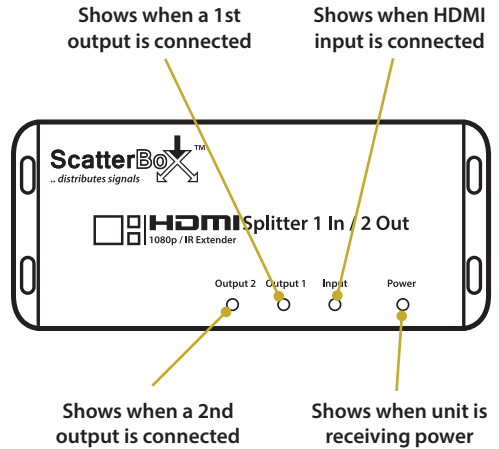


HDMI Adapter

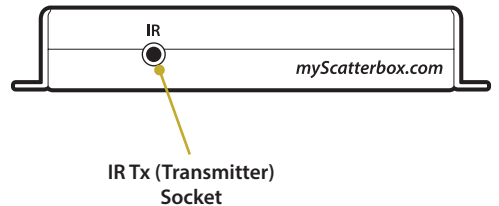
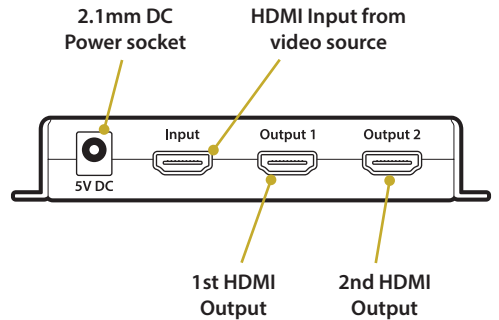


5V 1A 2.1mm
UK 3-Pin PSU

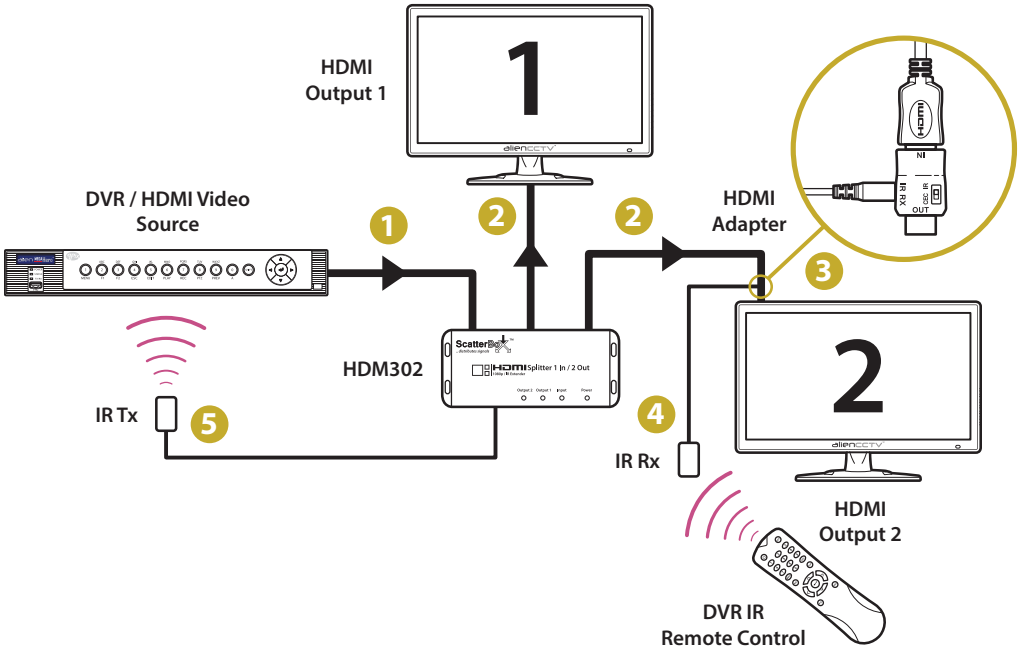
LED Indicators



Connections



Connection Instructions



- 1** Connect a HDMI lead from the HDMI output of the DVR or other video device to the HDMI 'Input' of the HDM302. When connecting the HDMI input the maximum lead length you can use is **15m**.
- 2** Connect the HDMI outputs of the HDM302 to your two monitors using HDMI leads. When connecting the HDMI outputs the maximum lead length you can use is **25m**.
- 3** Connect the HDMI adapter in-line between the HDMI lead and one of the monitors. Plug the IR Rx into the 'IR Rx' socket on the adapter. When using the IR extender ensure the CEC/IR switch on the HDMI adapter is set to 'IR'.
- 4** Position the IR Rx so that it will be in line of site of the remote control.
- 5** Connect the IR Tx to the 'IR' socket on the side of the HDM302. Position the IR Tx so that it has line of sight to the DVR.
- 6** Finally connect the PSU supplied to the HDM302, plug into a power outlet and switch on. The 'Power' and 'Input' lights should come on as well as the 'Output' light for each output which has a connection.

Specification

Specification	Feature
Video Inputs	1
Video Outputs	2
Video Connection	HDMI Sockets
Resolution	1080p / 1080i / 720p / 576p / 576i / 480p / 480i
Frame Rate	24fps / 50fps / 60fps
Video Colour Format	24 bit / Deep Colour 30 bit / 36 bit
Audio Format	DTS-HD / Dolby-true HD / LPCM 7.1 / DTS / Dolby-AC3 / DSD
Max Bandwidth	225MHz
Max Baud Rate	6.75Gbps
Input / Output TMDs Signal	0.5 ~ 1.5 Volts p-p (TTL)
Input / Output DCC Signal	5 Volts p-p (TTL)
Max Input Cable Length	Up to 15m
Max Output Cable Length	Up to 25m
PSU Input	100 ~ 240V AC (50HZ / 60HZ)
PSU Output	5V DC / 1A
Max Working Current	350mA
Power Connection	2.1mm DC Socket
Operating Temperature	-15 ~ +55°C
Operating Humidity	5 ~ 90% RH
Dimensions	124 x 52 x 20mm
Weight	190g

User Information

- ❑ The splitter must be installed in a clean, dry environment where it will not be exposed to high temperatures, moisture or excessive dust.
- ❑ Do not touch the splitter or any of its connections with wet hands.
- ❑ Ensure the power is switched off if the splitter is not in use for a long period of time.
- ❑ There are no user serviceable parts in the splitter and opening or attempting to repair the product will void the warranty.
- ❑ Only use the PSU originally supplied with the product.